

COMBIMEKI

MEKI™. Excelling in X-ray food inspection

The options for foreign object inspection in the food industry have long been limited. Until now there were only simple metal detectors on one hand and high-price X-ray systems on the other. With MEKI, you finally have the choice.

COMBIMEKI. Decreasing redundant in your product, adding value to you

COMBIMEKI is an automated and integrated product quality control system. COMBIMEKI uses the latest X-ray image processing technology combined with an integrated checkweighing option. By integrating the MEKI X-ray, which detects foreign objects such as stones, glass, bones and dense plastic, with our checkweighing system you will have a complete product quality system, which also detects and removes weight rejects. By removing these non conforming weight products and feeding information about your product's weight errors, you can improve your products quality, customer satisfaction and also save product waste by controlling product giveaways.

COMBIMEKI Enhanced with integration

While developing the checkweigher unit we have maintained our high standards. Ensuring that it can operate in the same demanding conditions as our other products. The weighing sensor is constructed of stainless steel; with the strain gauge fully encapsulated.



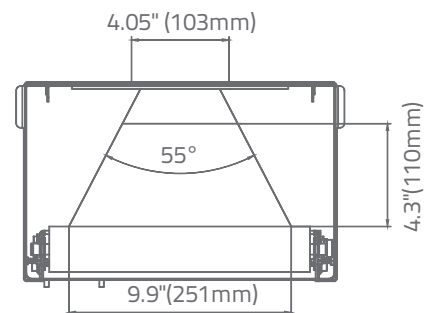
TECHNICAL SPECIFICATIONS

The world's smallest X-ray food inspection system

Detection area	9.84" × 4.33" (250 × 110 mm)
Conveyor speed	min 0.3 ft/s (0.1 m/s) max 4.3 ft/s (1.3 m/s)
X-ray power	40–60 kVp / 0.1–2.5 mA (<100 W)
X-ray leakage	less than 1 μSv/h
Detector type	Linear scanner, width 10"(256mm)
Pixel size	0.4 mm
Operating system	Windows 7
Software	Mekitec X-ray Inspection System SW
Power supply	110–240 VAC, 50–60 Hz
Operation temperature	32–95°F
Dimensions (w × d × h)	32"/47" × 20" × 79" (800/1200×515×2000 mm)
Weight	165 lbs
Connection to data	Ethernet/USB

Dimension of inspected goods

Height	Width
4"(100mm)	5.8"(148mm)
3.2"(80mm)	6.6"(168mm)
2.4"(60mm)	7.4"(189mm)
1.6"(40mm)	8.3"(210mm)
0.7"(20mm)	9.1"(230mm)



Weighting unit

Height and length of the weighing unit can be customized to fit your product line.

- Weights approximately 220 lbs
- Belt dimensions 17" x 10" (430 x 250 mm)
- Length of the belt is adaptable
- Maximum speed of 200 products per minute
- Products up to 12" x 9.8" (300 x 250 mm)



Contact us

Mekitec Ltd., info@mekitec.com, www.mekitec.com