

MIDMEKI™

MEKI™ line. Excelling in X-ray food inspection

The options for foreign object inspection in the food industry have long been limited. Until now, there were only simple metal detectors on the one hand and high-price X-ray devices on the other. With our MEKI line, you finally have the choice: the MEKI line is an automated product quality control system using the latest X-ray image processing technology.

MIDMEKI™. Powerful in X-ray inspection, small in investment

With MIDMEKI, we expand our unique product line with a device that combines the benefits of MEKI with a wider conveyor and a remarkably larger detection area. It is especially designed for the inspection of larger food products, trays of smaller products and the inspection of multiple lines.



TECHNICAL SPECIFICATIONS

X-ray inspection of larger/trays of smaller products and multiple lines

| | |
|-------------------------------|---|
| Detection area | 16" × 8" (400mm x 200mm) |
| Conveyor speed | min 0.3 ft/s (0.1 m/s) max 3.2 ft/s (0.98 m/s) |
| Conveyor length | 39" (1000m) |
| X-ray power | Max 80 kV (200 W) |
| X-ray leakage | less than 1 μSv/h |
| Detector type | Linear scanner, width 16.1" (410mm) |
| Pixel size | 0.4 mm |
| Operating system | Windows 7 |
| Software | Mekitec X-ray Inspection System SW |
| Power supply | 110–240 VAC, 50–60 Hz |
| Operation temperature | 32–95° F |
| Dimensions (d × w × h) | 39" × 28" × 80" (1020 mm × 702 mm × 2020 mm) |
| Weight | 440 lbs |
| Connection to data | Ethernet/USB |



Industries

MIDMEKI is perfect for quality control particularly in the following food sectors:

- meat and poultry, e.g. big meat pieces
- dairy, e.g. high pots of yoghurt or sauces, big cheese pieces
- ready meals
- wide frozen pizzas
- bakery
- vegetables and fruits
- confectionery

Applications

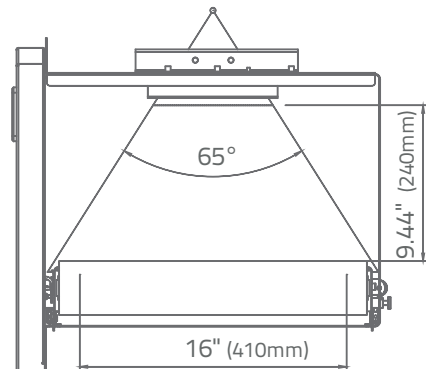
MIDMEKI is especially suitable for the inspection of

- packaged products
- trays with several products
- multiple lines of small products

For applications such as small packaging, please refer to the datasheets MEKI.

Dimension of inspected goods

| Height | Width |
|-------------|---------------|
| 1.6"(40mm) | 13.4" (340mm) |
| 3.1"(80mm) | 11.8" (300mm) |
| 4.7"(120mm) | 10.2" (260mm) |
| 6.3"(160mm) | 8.7" (220mm) |
| 7.9"(200mm) | 7" (180mm) |



Contact us

Mekitec Ltd., info@mekitec.com, www.mekitec.com